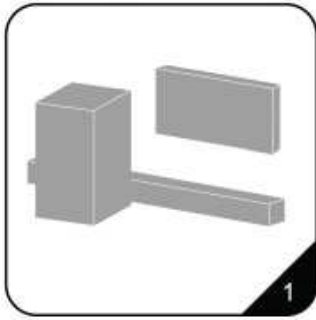
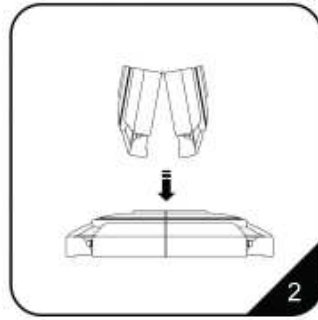


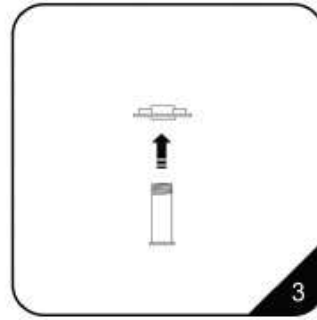
Everest Setup Instructions



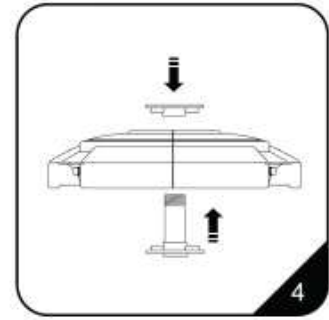
1. The whole produce has three packagings.



2. Unfold the base.



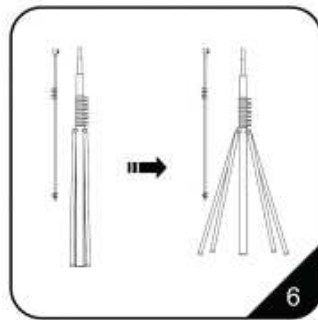
3. Fix the bottom connection-unit with orientation dowelling.



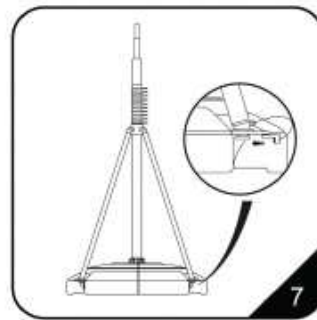
4. Assemble the upper connection-unit, unfolded-base and section(as step-3) together.



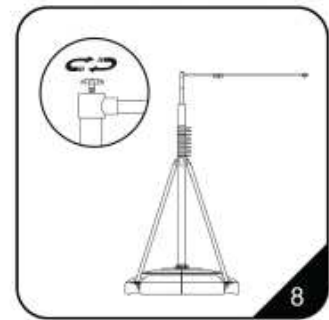
5. Fix the orientation nut against base.



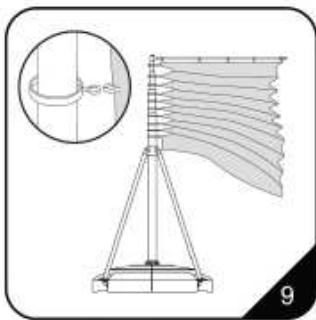
6. Detach the branches of the vertical-pole.



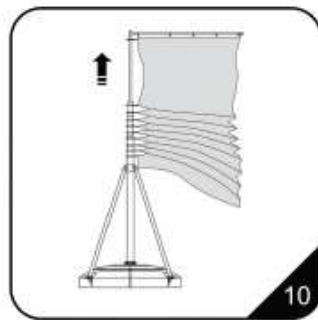
7. Make sure that the branches of the vertical-pole can be fixed at the base.



8. Connect the horizontal-pole and vertical-pole with the upper-snail.



9. Every hook with the banner should be hitched against the vertical-pole.



10. Hoist the vertical-pole then spread the banner.

